

HF1921

INSTALLATION SHEET

START FROM HERE

Make sure power is completely off at the fuse box.
 Have your fixture installed by a qualified licensed electrician.
 Prepare everything in a clear area.
 Wear gloves at all times during this installation.
 Read instructions carefully before you start assembly.
 Keep this instruction sheet for future reference.

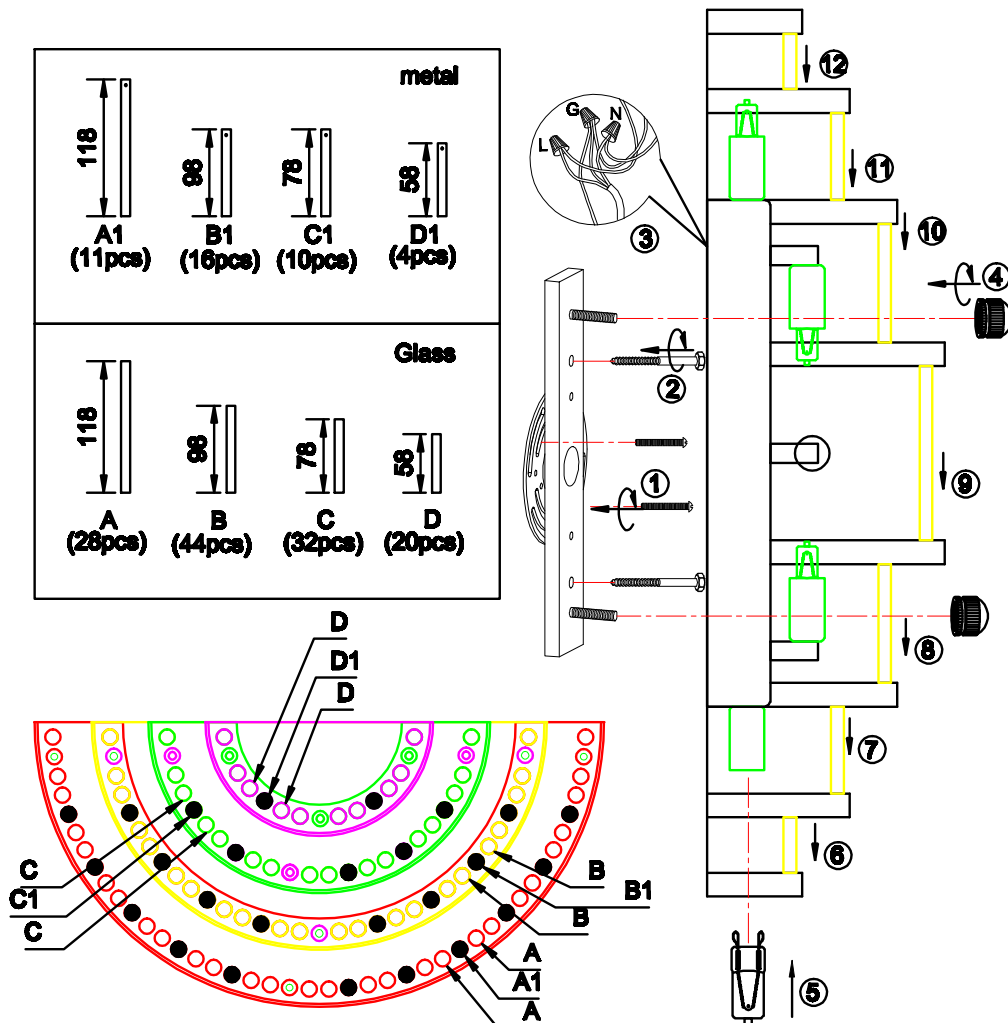
Please Note:
 All AVE LED fixtures come with pre-wired LED module(s).
 Unless instructed to do so, please do not touch any part of the LED module(s) as any unnecessary contact with the module could cause permanent damage.
 For dimming, an ELV (Electronic Low Voltage) type of dimmer is required.

Technical Support: 8186289149

Specification of installation

In order to ensure safety use, please notice the following items:

- Read and understand the whole Specification.
- Suitable for the use of 110~130V and 60Hz.
- Please wear gloves as installment and avoid rot on the surface of plating.
- Must be installed on the fixed places and be checked annually.
- Please turn off the lighting source by soft cloth as cleaning prohibited to use of rotted detergent.
- Please connect with the local sales service center when there are any abnormality.



AVE LIGHTING

9000 Fullbright Ave. Chatsworth Ca. 91311
 O: (818) 628-9149 ; (800) 798-0409 F: (888) 870-0105
 W: WWW.AVENUELIGHTING.COM