

# HF9412

# AVE

L I G H T I N G

# Chandelier

## Thank you for your purchase.

Welcome to the Avenue Lighting Family. Please follow these instructions carefully as they contain important information about the safety, use and disposal of this product. Read and understand all instructions before proceeding with assembly and installation of this fixture.

Electrical Rating: 120V, 60 Hz

- This fixture **MUST** be installed by a licensed electrician.
- Read & understand the entire installation sheet.
- DO NOT** substitute any parts, leave parts out, or use parts that are worn out or broken.
- The fixture is intended for installation in accordance with the National Electric Code (NEC and all local code specification)
- Use only the supplied LED driver to power the fixture.
- Please wear gloves during installation to avoid damage to the plating.
- Must be installed in a fixed location and be checked yearly.
- Do NOT operate fixture if any lights are not operating or operating improperly or fixture could be further damaged.

## Preparation:

Carefully remove the fixture from the carton and check that all parts are included as shown in the illustration. If any parts are missing or damaged, DO NOT attempt to assemble the product.

## Tools Required (not included):

- Phillips screwdriver
- Electrical Tape
- Flathead screwdriver
- Ladder
- Wire Strippers
- Safety Glasses + Gloves

## This Package includes

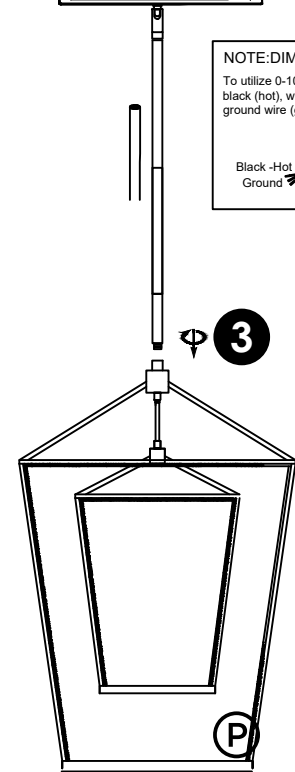
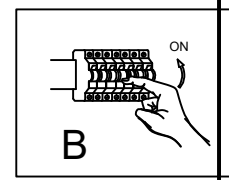
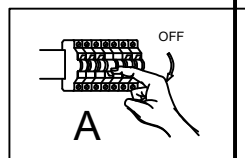
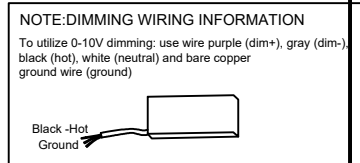
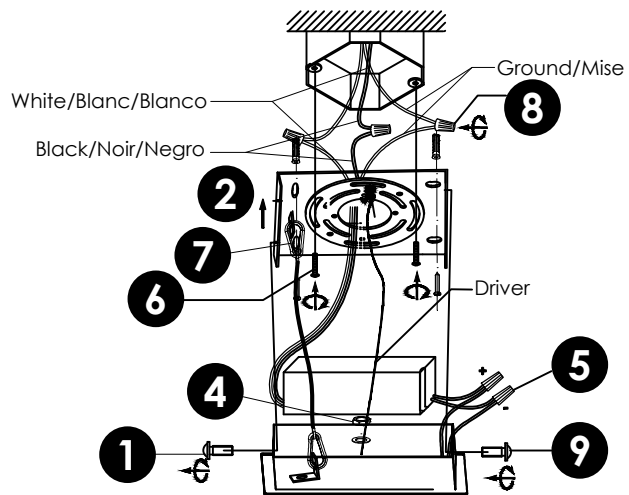
- (2) Junction Box Screws
- (3) Wire Connectors
- (4) Plastic Anchor + Wood Screw

## Assembly Instructions

1. Please turn off the power before installing the lamp. (fig A)
2. Remove the mounting bracket from the top box,
3. According to the height of the fixture, tighten the downrods and tighten the nut inside the canopy
4. The driver output line is connected to the fixture's body (- connect -) and (+ connect +)
5. Then place the mounting bracket on the junction box. Then tighten the junction box screw. Buckle up the safety rope.
6. Connect the lamp power cord to the main power cord of the junction box. (white to white & black to black)
7. To utilize 0-10V dimming: use wire purple (dim+) & gray (dim-)
8. Wrap the Naked copper in the junction box around the green screw. Lock the green screw in the tooth hole. Connect the Naked copper of the lamp and the naked copper of the junction box with the terminal.
9. Secure the canopy to the mounting plate using the mounting screws
10. turn on the power (fig B)

## NOTE:

1. This device complies with art 15 of the FCC Rules. Operation is subject to the following two conditions: (1) this device may not cause harmful interference, and (2) this device must accept any interference received, including interference that may cause undesired operation (3) Importer: Avenue Lighting, 9000 Fullbright Ave. Chatsworth, CA 91311 P:800.798.0409
2. Please note that changes or modifications of this product is not expressly approved by the party responsible for compliance could void the user's authority to operate the equipment.
3. This equipment has been tested and found to comply with the limits for a Class B digital device, pursuant to part 15 of the FCC Rules. These limits are designed to provide reasonable protection against harmful interference in a residential installation. This equipment generates, uses and can radiate radio frequency energy and, if not installed and used in accordance with the instructions may cause harmful interference to radio communications. However, there is no guarantee that interference will not occur in a particular installation. If this equipment does cause harmful interference to radio or television reception, which can be determined by turning the equipment off and on, the user is encouraged to try to correct the interference by one or more of the following measures:
  - A. Reorient or relocate the receiving antenna
  - B. Increase the Separation between the equipment and receiver
  - C. Connect the equipment into an outlet on a circuit different from that to which the receiver is connected
  - D. Consult the dealer or an experienced radio/TV technician for help



[www.AvenueLighting.com](http://www.AvenueLighting.com)

Clean with a soft damp cloth.

# HF9412-GLD

Park Ave Collection

## Install Instructions

**AVE**  
L I G H T I N G

avenuelighting.com

### Thank you for your purchase.

Welcome to the Avenue Lighting Family. Please follow these instructions carefully as they contain important information about the safety, use and disposal of this product.

**Professional Installation:** Ensure a licensed electrician performs the installation.

**Installation Manual:** Carefully read and comprehend the entire installation manual before proceeding.

**Original Parts:** Utilize only original, undamaged parts for the installation.

**Safety Precautions:** Wear protective gloves during installation. Verify that the electrical fixture is compatible with a 110-130V and 60Hz power supply. Avoid using detergents for cleaning and conduct annual maintenance checks.

**Warning!** Lay down frame horizontally as shown on a flat surface before installing to avoid damage to the joint and down rod. Fixture should not be stood up vertically on a flat surface; this will cause damage to the down rod and joint as shown above in red.

