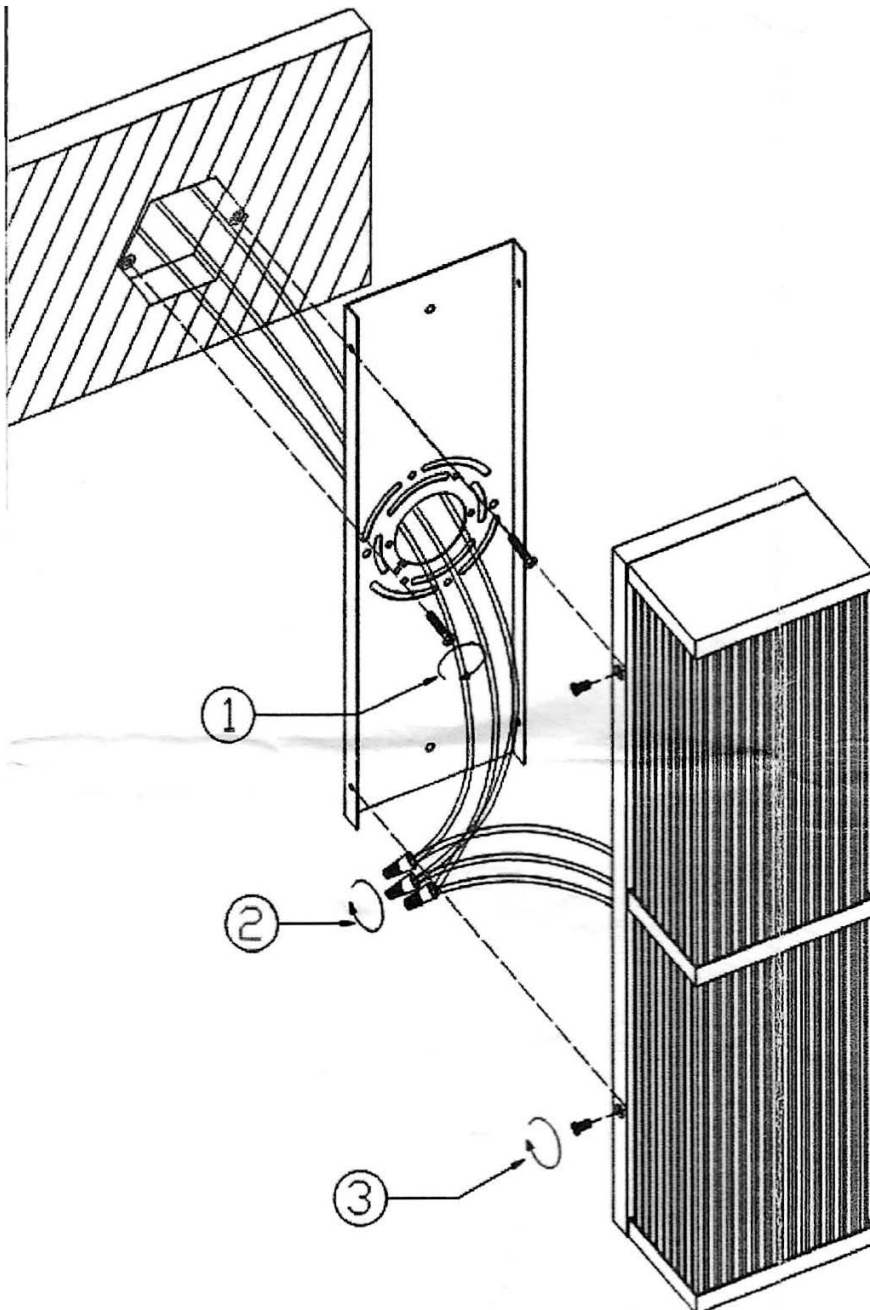


HF1120



A:Copper ground wire to ground wire-if you only have two wires coming from the electrical box,connect the fixture's copper wire to the green ground screw on the mounting plate.

B:White fixture wire to white supply wire.

C:Black Fixture wire to black supply wire.