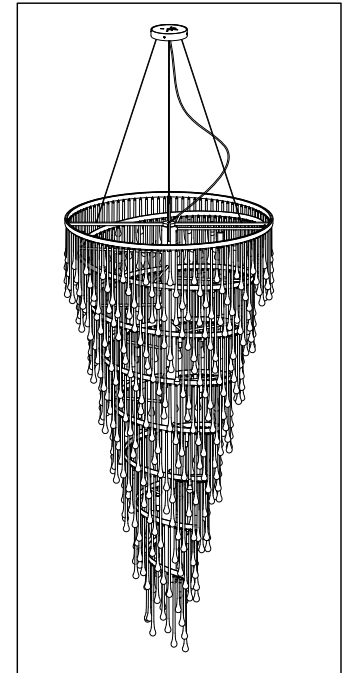
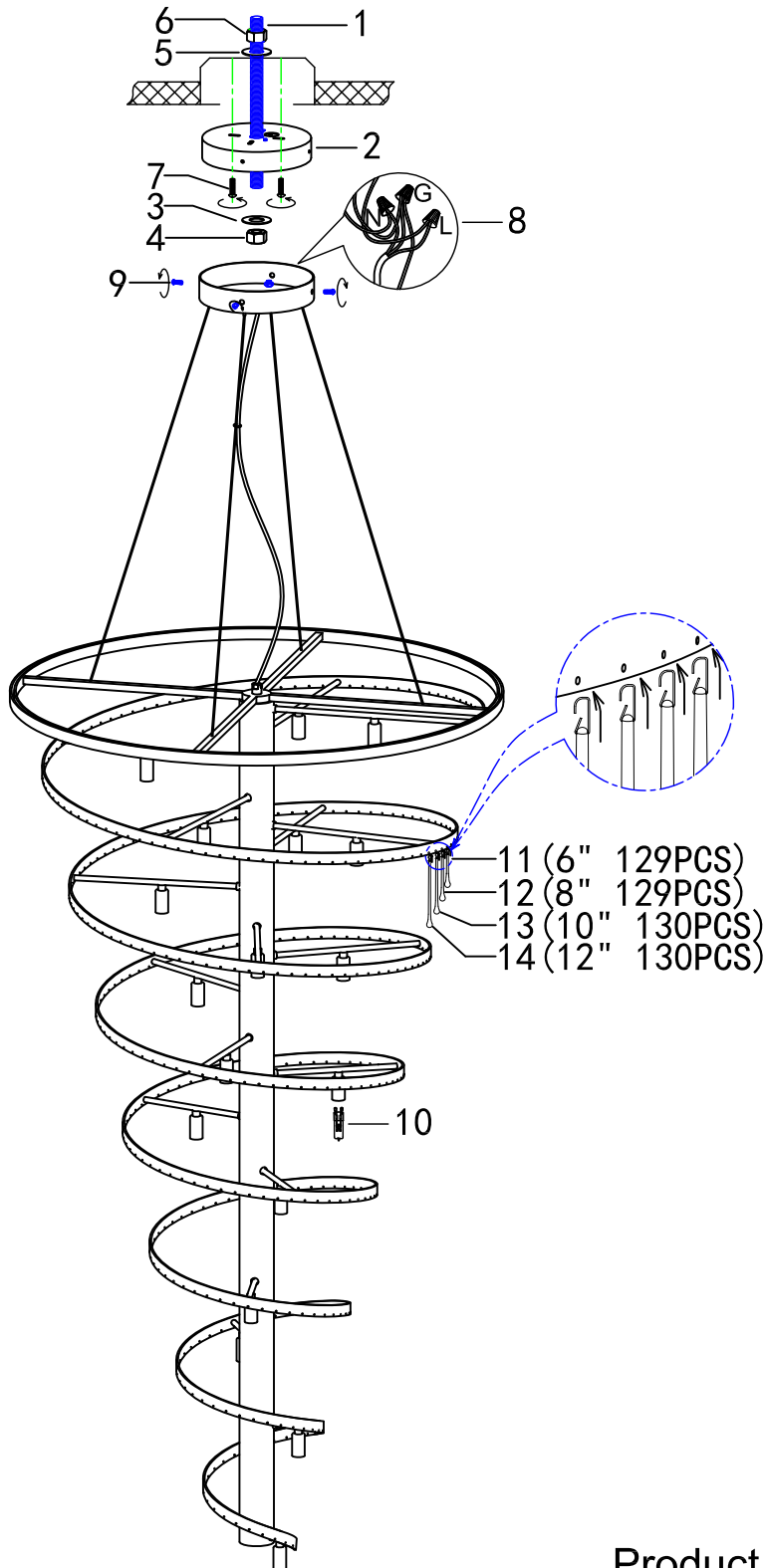




Specification of installation

In order to ensure safety use, please notice the following items:

- Read and understand the whole Specification.
- Suitable for the use of 110~130V and 60Hz.
- Please wear gloves as installment and avoid rot on the surface of plating.
- Must be installed on the fixed places and be checked annually.
- Please turn off the lighting source by soft cloth as cleaning prohibited to use of rotted detergent.
- Please connect with the local sales service center when there are any abnormality.

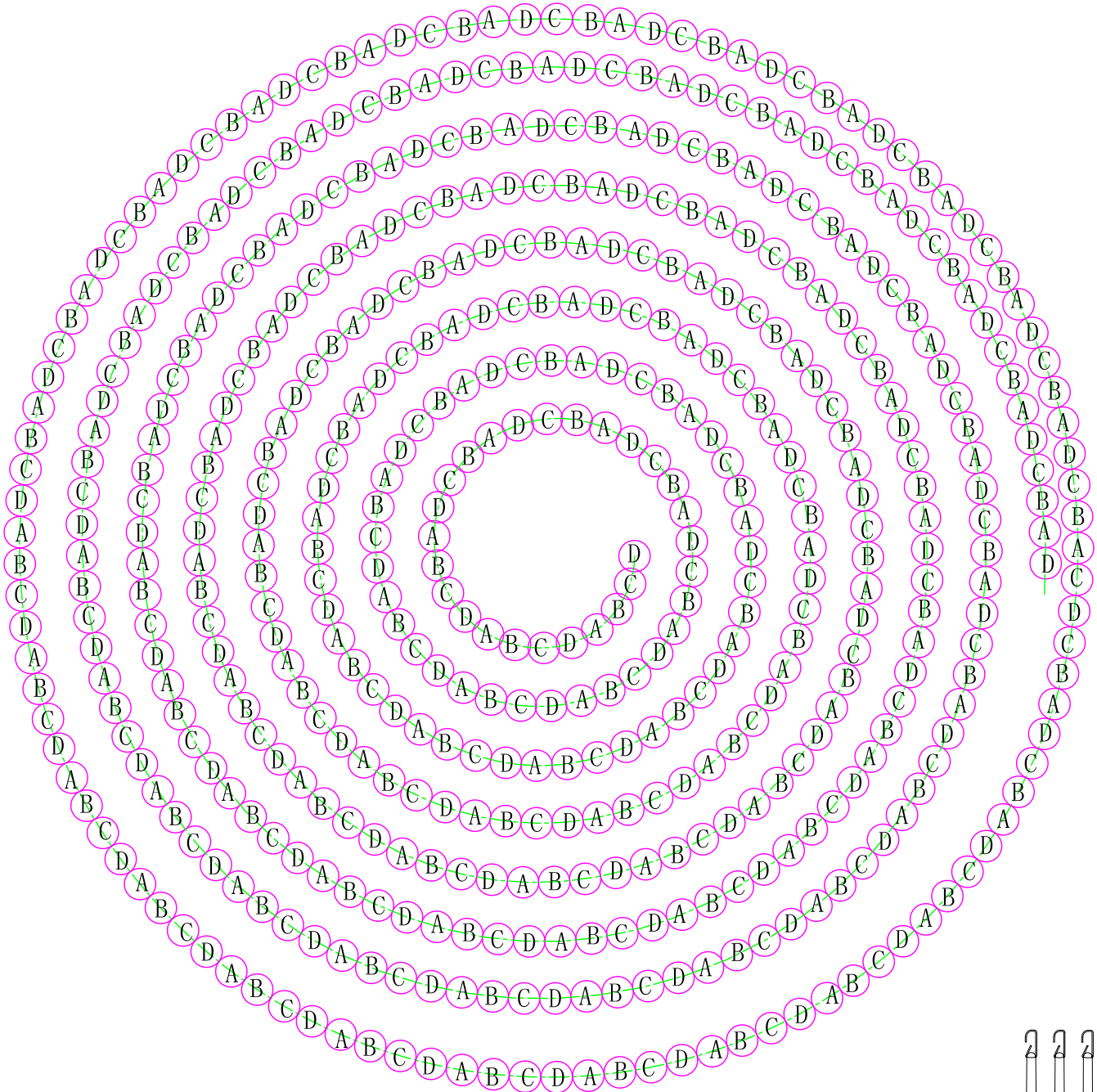


- 1 Nipple
- 2 Mounting
- 3 Lock washer
- 4 Lock Nut
- 5 Lock washer
- 6 Lock Nut
- 7 Screw
- 8 Terminal
- 9 Screw
- 10 G9 bulb
- 11 Glasses
- 12 Glasses
- 13 Glasses
- 14 Glasses

Product coding: HF1805-PN



Crystal hanging diagrammatic sketch



A=6"
B=8"
C=10"
D=12"