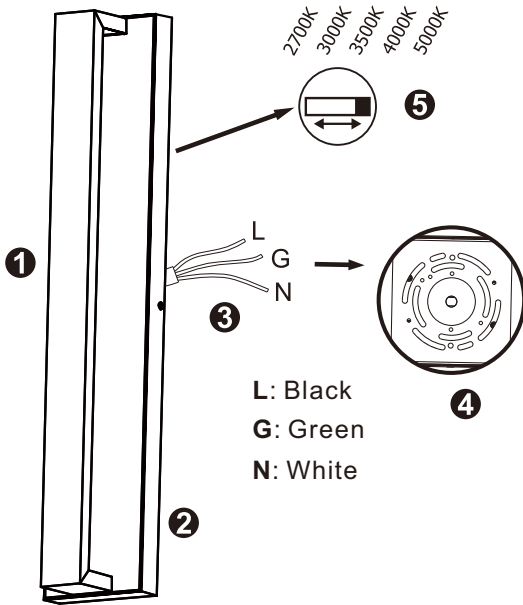


FIXTURE INSTALLATION

Important: Read all instructions in order to ensure safety and proper installation.

DO NOT operate this product under any conditions other than those for which it is specified. Failure to observe these precautions can lead to electrical shock, product failure, or other problems.



PARTS LIST

- ① LED Chip
- ② LED Fixture
- ③ Wire
- ④ Mounting plate
- ⑤ CCT adjustable switch

Specification	Power	Voltage	Length	Width	Height	Equivalent to
16" LED Wall Light AV4916-BK-5CCT	15 W	100-277V AC	16 inch	5 inch	3.5 inch	50 W Halogen
24" LED Wall Light AV4924-BK-5CCT	24 W	100-277V AC	24 inch	5 inch	3.5 inch	70 W Halogen
48" LED Wall Light AV4948-BK-5CCT	24 W	100-277V AC	48 inch	5 inch	3.5 inch	70 W Halogen

MAINTENANCE

READ ALL INSTRUCTIONS IN ORDER TO ENSURE SAFETY AND PROPER INSTALLATION.

1. DO NOT operate this product under ANY conditions other than those specified for it. Failure to observe these precautions can lead to electrical shock, product failure or other problems.
2. TURN OFF THE POWER at the electrical panel before installation or maintenance.
3. DO NOT modify this fixture. ANY modifications may render the product unsafe and void the warranty.
4. This product is rated for outdoor use.

Limited Warranty

The warranty applies to the product from the original date of purchase for three (3) years against manufacturing defects. The owner must provide a copy of the original proof of purchase. The manufacturer's obligation under this warranty is limited to repairing or replacing the component. It is not related in any way to the cost of the connection, the installation of the replacement parts or cost of transport.

Package Content

- Self-tapping Screws x 4 (24" & 48")
- Wall Lamp x 1
- Wire Connectors x 3
- Screws x 4
- Mouting plate x 1



INSTALLATION GUIDE

⚠ WARNING

Turn power OFF from electrical panel before installation or maintenance.

1. Take off the mounting bracket from the light fixture.
2. Attached the mounting bracket to the J-box/wall by screws.
3. Use wire connectors to connect the wires. After wires are connected, tuck them carefully inside the junction box.
4. Select your ideal CCT through the CCT switch.
5. Fix the light fixture to the mounting bracket by screws on the side.
6. To prevent moisture from entering the outlet box and causing a short, seal around the top and side perimeter between the fixture and the wall surface with weather resistant caulking. The space at bottom should be left un-caulked to prevent moisture build-up. Apply a small amount of weather resistant caulking around the side perimeter between the cap nut and mounting plate.

