

AVE

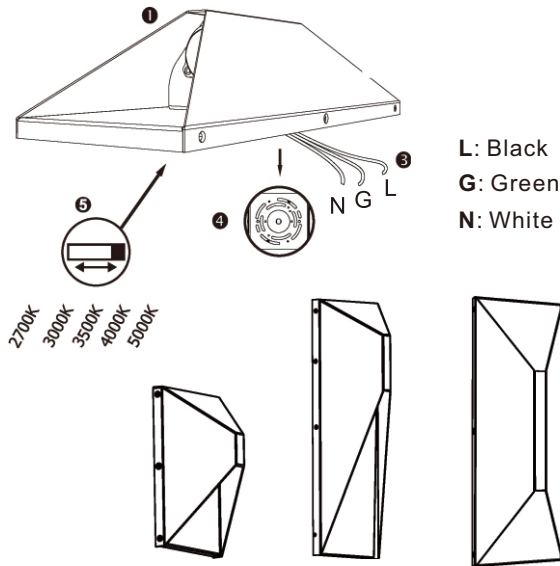
L I G H T I N G

OUTDOOR

FIXTURE INSTALLATION

Important: Read all instructions in order to ensure safety and proper installation.

DO NOT operate this product under any conditions other than those for which it is specified. Failure to observe these precautions can lead to electrical shock, product failure, or other problems.



PARTS LIST

- ① LED Chip
- ② LED Fixture
- ③ Wire
- ④ Mounting plate
- ⑤ CCT adjustable switch

Specification	Power	Voltage	Length	Width	Height	Equivalent to
8" LED Wall Light AV5008-BK-5CCT	12 W	100-277V AC	8 inch	5 inch	3.3 inch	84 W Halogen
14" LED Wall Light AV5014-BK-5CCT	15 W	100-277V AC	14 inch	5 inch	3.3 inch	100 W Halogen
14" LED Wall Light AV4914-BK-5CCT	22 W	100-277V AC	14 inch	5 inch	3.3 inch	150 W Halogen

MAINTENANCE

READ ALL INSTRUCTIONS IN ORDER TO ENSURE SAFETY AND PROPER INSTALLATION.

1. DO NOT operate this product under ANY conditions other than those specified for it. Failure to observe these precautions can lead to electrical shock, product failure or other problems.
2. TURN OFF THE POWER at the electrical panel before installation or maintenance.
3. DO NOT modify this fixture. ANY modifications may render the product unsafe and void the warranty.
4. This product is rated for outdoor use.

Limited Warranty

The warranty applies to the product from the original date of purchase for three (3) years against manufacturing defects. The owner must provide a copy of the original proof of purchase. The manufacturer's obligation under this warranty is limited to repairing or replacing the component. It is not related in any way to the cost of the connection, the installation of the replacement parts or cost of transport.

Package Content

- Wall Lamp x 1
- Wire Connectors x 3
- Screws x 4
- Mounting plate x 1

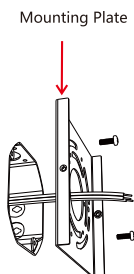


⚠ WARNING

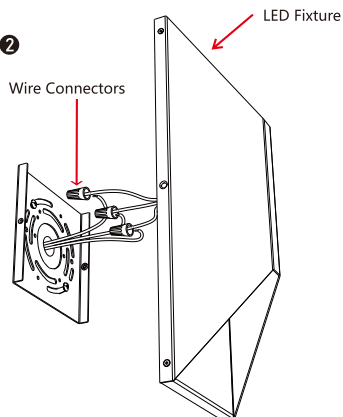
**Turn power OFF from electrical panel before installation or maintenance.
Do not unscrew the screws! Read installation instructions.**

1. Take out the mounting plate from the fixture and fix it to the embedded electrical box with screws. Pull black, white, and ground wires out of electrical outlet box.
2. Twist together white fixture wire with white outlet wire. Next, twist together black fixture wire with black outlet wire. Connect fixture ground wire and outlet ground wire. Use wire connectors to secure connections.
3. Install the LED fixtures on the mounting plate according to the direction of the label on the back of the fixture. Use the fixture screws to fix both sides.
4. To prevent moisture from entering the outlet box and causing a short, seal around the top and side perimeter between the fixture and the wall surface with weather resistant caulking. The space at bottom should be left un-caulked to prevent moisture build-up. Apply a small amount of weather resistant caulking around the side perimeter between the cap nut and mounting plate.

1

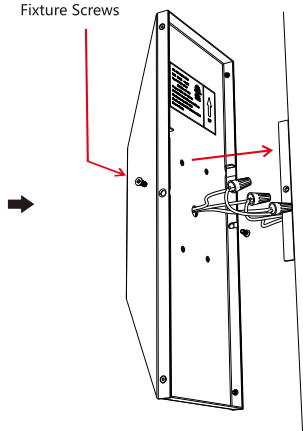


2



3

Fixture Screws



4

